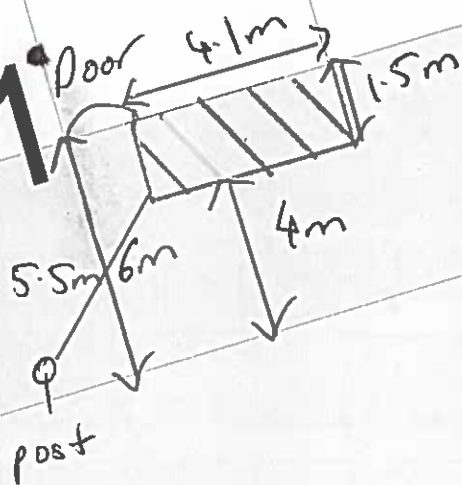


A1

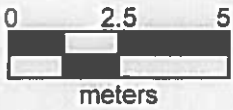
141b

141 a.

141



Ward Bdy



© London Borough of Croydon (Licence No. 100019257) 2013

CROYDON
www.croydon.gov.uk

Crown Copyright Ordnance Survey (License No: 100019257) 2011

141a Wickham Road

Scale 1:166

27-Sep-2016



A2

FREY ALTMAN
& COMPANY
REGISTERED ARCHITECTS
81 654 6700

Mama's

1616



NHS
DIAGNOSTIC TR
143



A3



A4

Return completed form to Place Department, Licensing Team, 10th Floor, Zone B, Bernard Weatherill House, 8 Mint Walk, Croydon, CR0 1EA
Telephone: 020 8760 5466 .Fax no :0208 633 9410

PLEASE READ THE GUIDANCE NOTES ATTACHED BEFORE COMPLETING THIS FORM

1. APPLICANT (see note A)

- a) First NameCarrol.....
- b) Last/Family Name ...Powell.....
- c) Full Home Address of Applicant ...
.....
- d) Home Tel No e) Mobile No
- f) E mail address:
- g) Date of Birth :... .. h) Passport No
- i) National Insurance Noj) Nationality: ...British.....

2. SITE TO BE DESIGNATED (see Note B) For Mobile Vehicles/Trailers go to section 4

- a) Trading Name of Premises:Mama's.....
- b) Trading Address:.....141a Wickham Road.....
.....Shirley, CR0 8TE.....
- c) Business Tel No : ...020 8656 7265.....

3. DISPLAY AREA (see note C)

- a) Dimensions of display area (state whether measured in feet or metres)
Length ...4.1 m..... Width1.5m.....HeightN/a.....

104

b) Hours that you would like to display the goods/services on the highway.

Sunday: fromto Thursday: from...08.00 to...17.00....

Monday: from...08.00 to...17.00.... Friday: from...08.00...to ...17.00....

Tuesday: from...08.00 to...17.00.. |Saturday: from 08.00...to...17.00.....

Wednesday: from...08.00... to...17.00.....

c) Type of goods or services to be displayed :...2 x tables and 4 x chairs....+ barrier

4. MOBILE VEHICLE/TRAILER (See note D)

a) Address of proposed pitch

b) Approx dimensions of vehicle/trailer (state whether measured in feet or metres)

Length.....Width.....Height.....

c) Registration No

d) Proposed hours and days of trading:.....

If you propose to sell hot food and drink after 2300 hours then you will require a premises licence under the Licensing Act 2003.(see note D)

Office Use only Premises Licence No

I declare that all the information given on this form is accurate to the best of my knowledge.

I enclose a fee of £ 365.

Please make cheques payable to Croydon Council. Alternatively payment can be made by debit or credit card on 0208 760 5466. There is an additional surcharge of 1.65% for credit card payments. There is no additional charge for debit card payments.

Signature of applicant(s) or applicant's Solicitor or other duly authorised agent:

Chazwell

Date 1 SEPTEMBER 2016

I understand that by signing this application form I confirm that I have been made aware of the 'Council's Street Trading Policy' in relation to the saturation areas in London Road and High Street Thornton Heath (see Note E on the attached guidance notes)

If you require any assistance with the completion of this form please contact the Licensing Team on 0208 760 5466

Office Use Only Uniform No: 16/00453/STT

Receipt No : CAN 25901 Date received: 12/9/16

AS

**TEMPORARY LICENCE –
STREET TRADING**

The Council of the London Borough of Croydon being the Local Authority for the purposes of the London Local Authorities Act 1990

**HEREBY LICENCE
TO USE SITE KNOWN AS**

Carrol Powell
Mama's
141A Wickham Road
Croydon
CR0 8TE

**TO DISPLAY
SIZE OF DESIGNATED DISPLAY
PERMITTED DAYS & TIMES**

Tables and Chairs
Length 4.1m, Width 1.5m
Monday to Saturday 0900 hours until 1700
hours

This licence is issued subject to compliance with the licence conditions attached

Please note that the person named on the licence and whose photograph appears on the licence is responsible for the premises at all times. This licence may not be transferred to any other person.

Date Licence Valid From: 12.09.2016

Date Licence Expires: 12.03.2017

Licence Number: 16/00453/STT

**Issued on Behalf of : Licensing Manager
Place Department**

AS

Licence Conditions

Non Transport for London Maintained Roads

1. The Licence shall ensure that there is a minimum clear passage of **2.0 metres** between the front edge of their display and the edge of the kerb or any item of street furniture (railings/lamp posts etc) – whichever is the nearer to the display
2. A clear copy of the licence shall be displayed in the front window of the premises at all times and should be visible to passers – by.
3. Please note that the person named on the licence and whose photograph appears on the licence is responsible for the premises at all times.
This licence may not be transferred to any other person.
4. The right to trade from the designated site will be temporarily suspended when Utility Companies or the Highway Authority require access to the footway to carry out necessary works, until the completion of those works.
5. The limits of the designated area may be marked on the footway/roadway by the Council to enable verification by Council & Highway Officers.
6. If the application for a street designation order and the subsequent application for a full licence are granted then premises displaying tables and chairs must then enclose the display area with a suitable barrier material e.g. rope.
7. The licence holder is responsible for removing all litter from the licensed area and adjacent footway at regular intervals during the day and at the close of business each day.

A6



CROYDON
www.croydon.gov.uk

Crown Copyright Ordnance Survey (License No: 100019257) 2011

141a Wickham Road

Scale 1:1250

26-Jul-2016

